

# STRYKER PRO 320

The Stryker PRO 320 inflatable boat comes with the added protection of 1.8mm wrapped with our Stryker Shield® under the entire bottom of the boat. There is no other comparable boat on the market today. We add a 20" transom for the ability to add a JET outboard for extreme shallow water use. Please note: this model requires a 20" shaft outboard (long shaft). This is the perfect inflatable boat for 2 adventure seekers paired with a 9.8HP long shaft outboard.

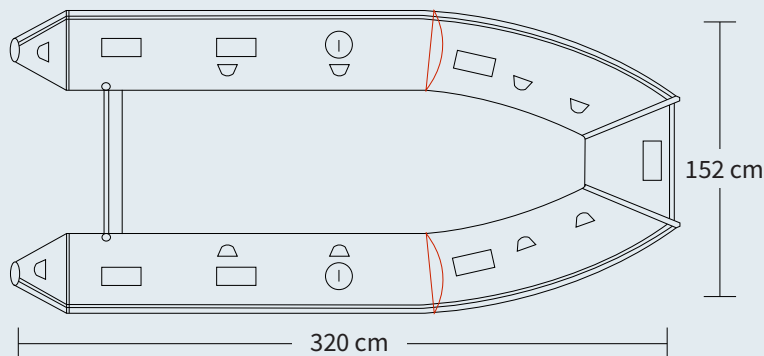
## SPECIFICATIONS

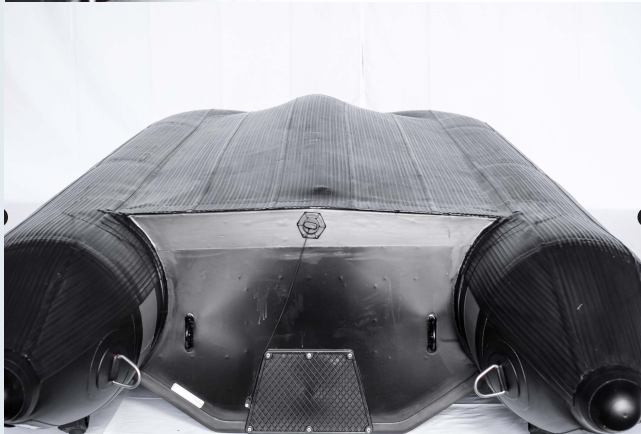
### SIZE

- Overall Length 320cm or 10' 5"
- Inside Length 212cm or 6' 9"
- Overall Width 152cm or 4' 10"
- Inside Width 66cm or 2' 2"
- Weight Aluminum Floor 155 lbs
- Tube Diameter 43 cm or 1' 4"
- # of Air Chambers 6
- PVC Thickness 1.2mm & .1.8mm

### CAPACITY

- Max Load 932kg or 2054lbs
- Max # people 5
- Max Motor 15 HP
- Max Motor Weight 60kg or 132lbs
- Transom Height 20"
- Max Tube Pressure 3.6 psi





## FEATURES

- Entirely Thermowelded Seams
- Aluminum Transom
- 1.8mm Underbelly
- 1.8mm Protective Seat Patches
- Stryker Shield™ Keel Strake
- Stryker Shield™ Under Tubes
- 7 x Scotty Mount Pads
- Anti Over-Inflation Safety Valve
- Reinforced Tube to Transom
- Complete Peripheral Life Line
- Exterior Water Redirecting Strake
- D Handle @ Bow w/ Tow Rope
- D Rings Installed
- 2 Tow Rings
- Oar Locks
- Oar Holders
- One Way Drain Valve
- 6 Carry Handles
- 10 Interior D Rings
- Aluminum Engine Mounting Plate
- Gas Tank Pad & Belt
- Bow & Sunshade Bimini Mounts Installed

### INCLUDED IN BOX

- 2 x Aluminum Bench Seat
- 2 x Scotty Baitcaster Rod Holders
- Bimini
- Bow Bag
- Seat Bag
- Aluminum Oars
- Boat Bag
- Floor Bag
- Essentials Bag
- Foot Pump
- Repair Kit

1.844.322.BOAT (2628) • STRYKERBOATS.COM